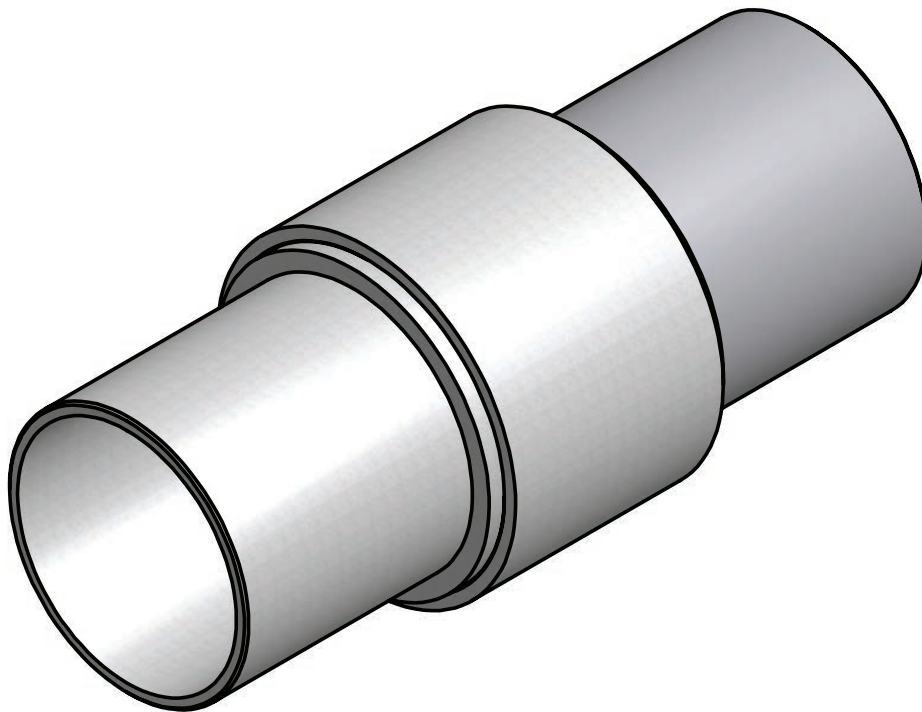


Di-Electric couplings prevent galvanic corrosion in Municipal and Industrial water well completions



When two dissimilar metals are coupled in water-saturated environments, the less corrosion-resistant metal corrodes faster from the galvanic cell created. This corrosion can be prevented by eliminating the contact between the two metal surfaces.

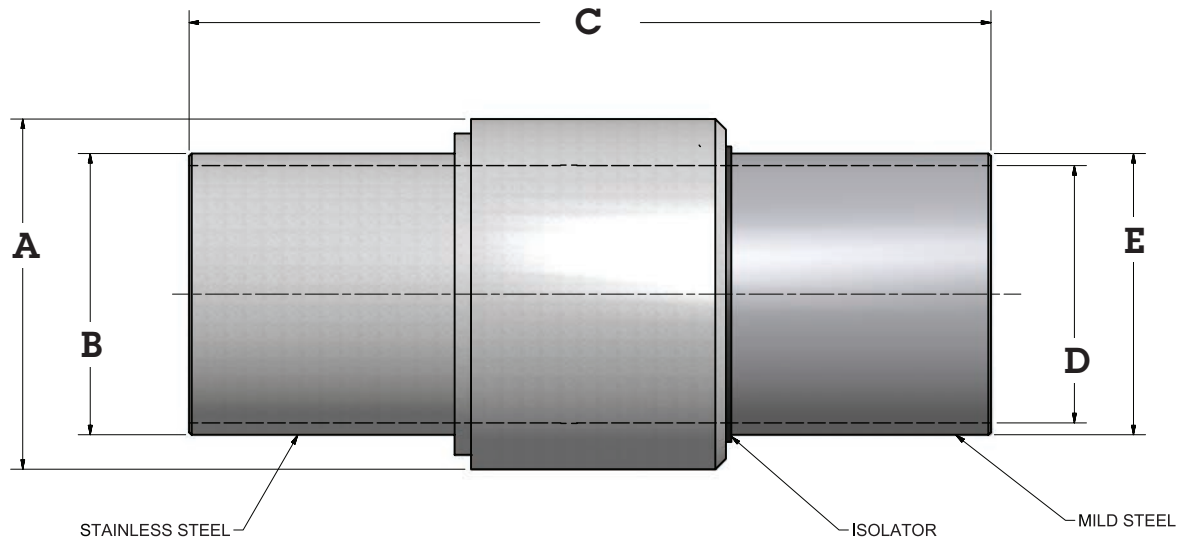
A true Di-Electric coupling uses non-conducting insulating ring material to isolate the metal surfaces and prevent electrical contact. This feature increases the life of the pipe and the life of the well.

The Johnson Screens Di-Electric couplings are available for pipe sizes from 1.5 - 24 in. Special sizes or connection adapters are available on request.

Advantages, Features and Benefits

- In the center of the coupling, an insulating sleeve prevents dissimilar metals from making contact and causing corrosion of the casing. This feature extends the life of the pipe for long-term savings.
- The coupling has a small OD, only 1.5 to 2 in. larger than the pipe. This feature saves costs by minimizing the size of the hole to be drilled.
- The nominal ID of the string is maintained through the coupling for full design functionality.

Di-Electric Coupling Dimensions



Coupling Size (in.)	Approximate Weight (lbs.)	A (in.)	B (in.)	C (in.)	D (in.)	E (in.)
1.5	7	3.00	1.90	11.39	1.61	1.90
2	9	3.50	2.38	11.39	2.07	2.38
2.5	13	4.00	2.88	12.64	2.47	2.88
3	20	5.00	3.50	12.64	3.07	3.50
4	26	6.00	4.50	12.64	4.02	4.50
5	32	7.00	5.57	12.64	5.05	5.57
6	58	8.25	6.63	18.89	6.06	6.63
8	80	10.25	8.63	18.89	7.89	8.63
10	103	12.25	10.75	18.89	10.02	10.75
12	124	14.13	12.75	18.89	12.00	12.75
14	136	15.38	14.00	18.89	13.25	14.00
16	155	17.50	16.00	18.89	15.25	16.00
18	204	19.63	18.00	22.89	17.25	18.00
20	234	21.75	20.00	22.89	19.25	20.00
22	260	23.75	22.00	22.89	21.25	22.00
24	331	25.63	24.00	22.89	23.00	24.00

Aqseptence Group, Inc. Water Well Screens

North and South America
 Phone +1 651 636 3900
 Fax +1 651 638 3177
waterwell.johnsonscreens.us@aqseptence.com

www.aqseptence.com