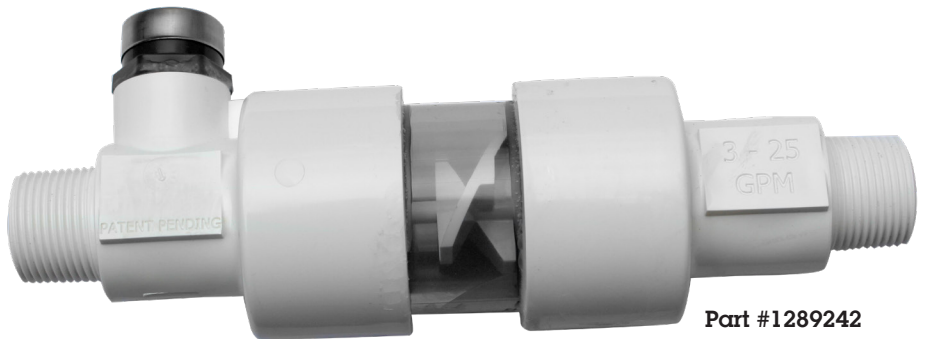


PVC Inline Mixer

Johnson Screens' NSF 61 approved inline mixer utilizes a unique internal design, which uses ordinary line pressure to create high levels of turbulence, enhancing the mixing of fluid additives with the product stream. With no moving parts, the inline mixer is virtually maintenance free and installs quickly and easily with no special tools or additional components. These inline mixers are used in a wide variety of processes, such as chemical blending, pH control, water treatment and chlorine mixing.

This new model of inline mixer has some distinct advantages compared to earlier models:

- Handles higher flow rates
- Improved mixing performance
- Reduced energy consumption
- Larger wrench flats
- Reduced backpressure during operation



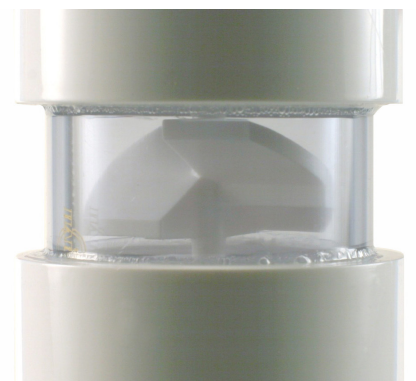
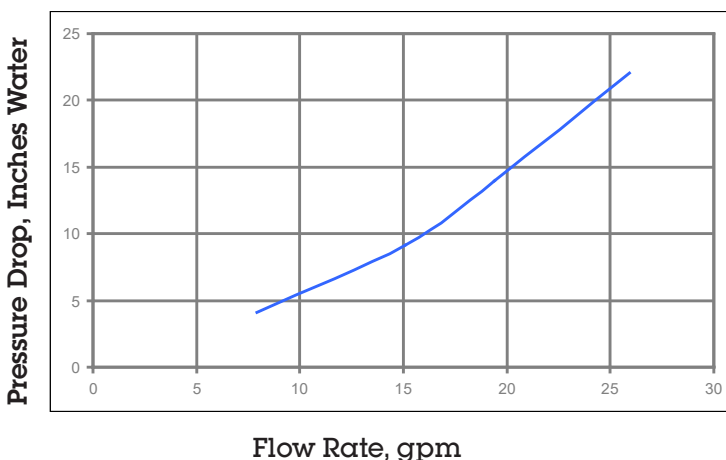
Standard features of the inline mixer include:

- PVC construction aids in chemical compatibility
- Clear PVC sight tube allows easy viewing of the mixing process
- Standard 1 in. male NPT threads on the inlet and outlet ports
- Standard 1/2 in. female NPT threads on the injection port



Certified to
NSF/ANSI 61

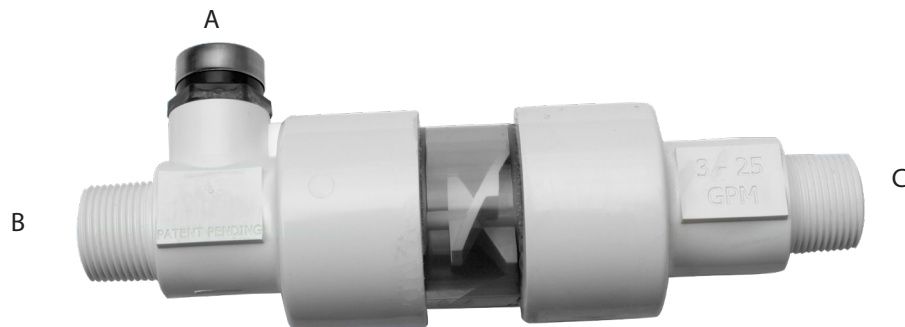
Pressure Drop of Improved Inline Mixers



The triple turbine in the new inline mixer model induces the turbulence needed for increased mixing performance with a decreased differential pressure. This triple turbine changes the directional flow of the fluids, allowing mixture prior to exiting the mixing chamber.

Planning and Installation Instructions

These instructions are intended to be used as guidelines solely for the installation of Johnson Screens' PVC inline mixer. They are not to be used with any other product or any other manufacturer's product. The mixer should only be installed by someone with knowledge or experience of the state and local plumbing codes and installation of similar devices. The installer should follow all state and local codes when using this device. The mixer should be inspected every 6 months. Call Johnson Screens at (800) 935-5727 with any questions concerning the use or installation.



- A. 1/2 in. female NPT thread chemical injection port
- B. 1 in. male NPT thread water inlet
- C. 1 in. male NPT thread mixture outlet

Prior to installation, check to verify that all limitations and guidelines of the mixer are met:

1. The limits of schedule 80 PVC pipe, or any attachments to the mixer, must not be exceeded.
2. The mixer needs to be installed on a cold water supply line.
3. The mixer should only be used in conjunction with approved chemicals.
4. Appropriate water hammer and/or surge suppressors should be installed and working before the mixer is installed.
5. The mixer should be installed at or near a floor drain so that any drips or spills will be captured by the drain.
6. The mixer should be located away from high traffic, child play or other areas where damage can occur.
7. Pipe joint compounds and Teflon® paste products may react with PVC, resulting in stress cracks. For best results, use Teflon® tape or Loctite® 55 pipe sealing cord, or equivalent. *It is not recommended by the industry or by us to use Teflon products on PVC threads, as it creates issues. A proper thread sealant should be used.*
8. Do not use pipe wrenches on the clear pipe section.

Installation process and procedure:

1. In an acceptable installation location, connect the inlet port of the mixer (B) to the water supply source using the 1 in. male pipe threads on the mixer. Caution: **DO NOT OVERTIGHTEN. PVC PIPE THREADS SHOULD BE TIGHTENED FINGER TIGHT AND THEN 1 TO 2 MAXIMUM ADDITIONAL TURNS.** Do not place wrenches on pipe and opposite end connection. Wrenches must be placed on the end connection to which pipe is being attached.
2. Attach an outlet pipe to the outlet port (C) of the mixer using the 1 in. male pipe threads on the mixer. Follow over tightening and wrench placement cautions above.
3. Attach adequate mounting supports to the mixer and connecting piping.
4. Install an appropriate check valve to the 1/2 in. chemical injection port (A).
5. Install the chemical injection pump to the check valve.
6. Pressurize and test the mixer and chemical injector.
7. Check and correct any leaks.

Disclaimer: The information on this instruction sheet is for informational purposes only. Johnson Screens assumes no liability for any inaccurate, delayed or incomplete information or for any actions taken in reliance. No part of these instructions may be reproduced, in any form or by any means, without permission in writing from an officer of Johnson Screens. Johnson Screens Terms and Conditions apply. Contact Johnson Screens for a copy of the T&C if required. * Teflon® is a registered trademark of E.I. du Pont de Nemours and Company.

Johnson Screens Industrial and Architectural Screens

North and South America
Phone +1 651 636 3900
info.us@johnsonscreens.com

Europe, Middle East & Africa
Phone +3 3 23 75 05 42
info.fr@johnsonscreens.com

Asia Pacific
Phone +61 7 3867 5555
info.au@johnsonscreens.com

johnsonscreens.com